

## Notification Regarding Removing the Retainers

This is a notification regarding how to remove those retainers that are not mentioned in the setup guide.

After removing the retainers mentioned in the setup guide, perform the following work.

- \* Store the retainers carefully because they are needed again when transporting the machine, such as for relocation.
- \* The LEF2-200 is used for the printer in the pictures.

### Procedure

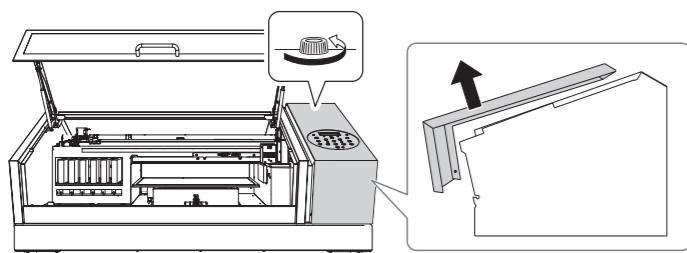
#### 1 Open the front cover.

##### CAUTION

Be sure to hold the handle of the front cover and keep holding it until the cover is completely opened or closed. If you do not open and close the front cover gently, it may break or you may be injured.

#### 2 Open the panel cover.

Remove the screw on the top of the panel cover, and then pull out the panel cover in the direction indicated by the arrow.

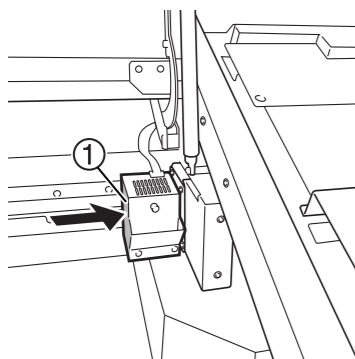


#### 3 Push the print-head carriage to the right side.

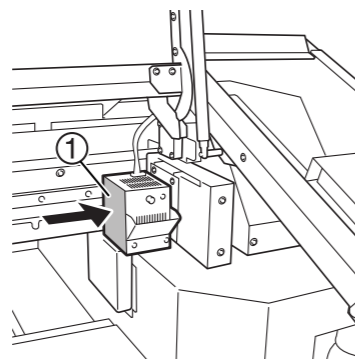
Push the print-head carriage until an audible click is heard.

- CAUTION** When moving the print-head carriage by hand, be sure to hold the specified position. Moving it by holding positions other than that specified may deform and damage the cover.

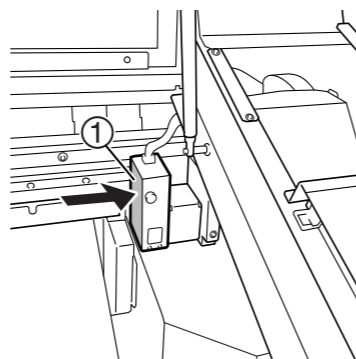
##### When using the LEF-300



##### When using the LEF2-200



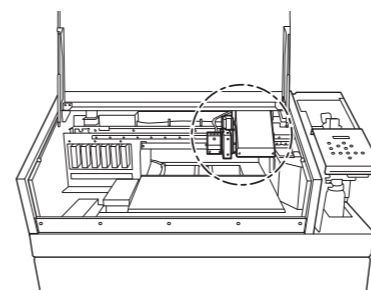
##### When using the LEF-12i



①: Position to push with your hand

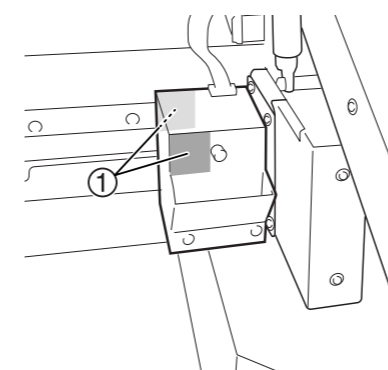
#### 4 Move the print-head carriage to the position indicated in the picture.

Move the print-head carriage by hand.

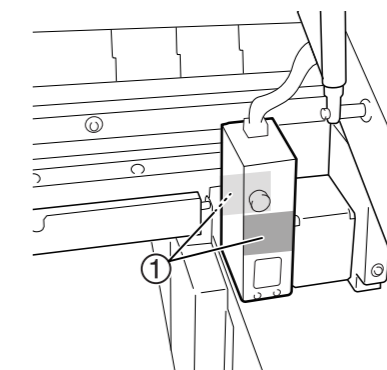


- CAUTION** When moving the print-head carriage by hand, be sure to hold the specified position. Moving it by holding positions other than that specified may deform and damage the cover.

##### When using the LEF-300 / LEF2-200

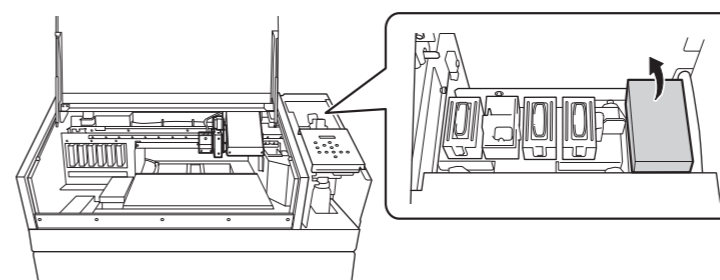


##### When using the LEF-12i

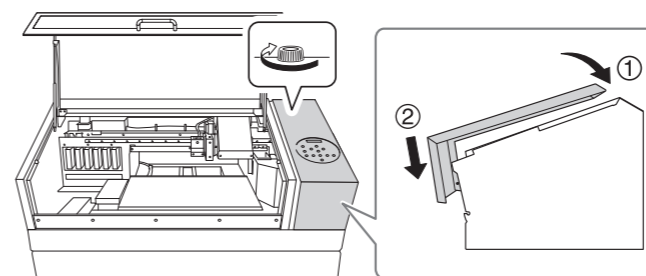


①: Position to hold with your hand

#### 5 Remove the retainers.



#### 6 Close the panel cover.



#### 7 Close the front cover.

