

**SOLJET** *PRO II V*  
Sign Maker by Roland DG Corporation

---

# ***SJ-745EX*** ***SJ-645EX***

## ***Important Notes for ECO-SOL MAX Users***

---

Please be sure to read this before you begin setup for the machine. Be sure to carry out installation of ECO-SOL MAX ink cartridges according to procedure described in this document.



***This machine is compatible with ECO-SOL MAX.***

---

# Important Notes to ECO-SOL MAX Users

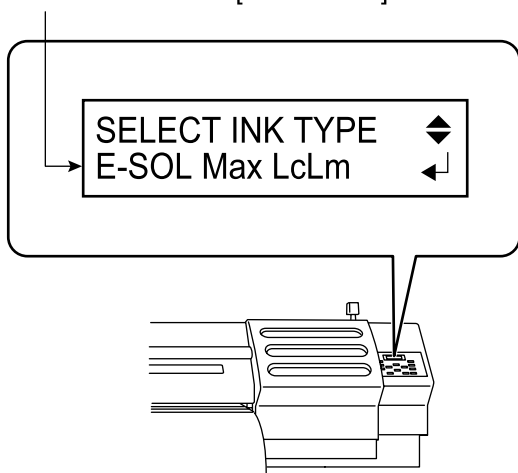
## Filling with Ink for the First Time

When filling with ink for the first time after purchase, select ECO-SOL MAX as the ink type.  
 For other operations, follow the instructions in the User's Manual.  
 Use cleaning cartridges intended for ECO-SOL INK.

**Important!**

> Selection of an incorrect ink type may reduce printing quality. Select it with care.

Be sure to select [E-SOL Max].



- ① Use   to select the ink type.
- ② Press  to enable the selection.

Ink	Colors	SELECT INK TYPE setting
ECO-SOL MAX	4-color (cyan, magenta, yellow, and black)	<input type="text" value="SELECT INK TYPE"/> <input type="button" value="◆"/> <input type="text" value="E-SOL Max CMYKMC"/> <input type="button" value="↵"/>
	6-color (cyan, magenta, yellow, black, light cyan, and light magenta)	<input type="text" value="SELECT INK TYPE"/> <input type="button" value="◆"/> <input type="text" value="E-SOL Max LcLm"/> <input type="button" value="↵"/>

## Usage and Handling of ECO-SOL MAX Ink

Other operations and methods of usage and handling are identical to those for ECO-SOL INK. Follow the instructions in the User's Manual.

# Added Menu Items

The new setting items described in the User's Manual have been added to the machine.

## SELECT INK TYPE Item

In addition to the existing "ECO-SOL INK" item, selection of "ECO-SOL MAX" is also possible.



### **E-SOL Max CMYKMC**

This is the ECO-SOL MAX 4-color mode (cyan, magenta, yellow, and black).

### **E-SOL Max LcLm**

This is the ECO-SOL MAX 6-color mode (cyan, magenta, yellow, black, light cyan, and light magenta).

### **ECO-SOL CMYKMC**

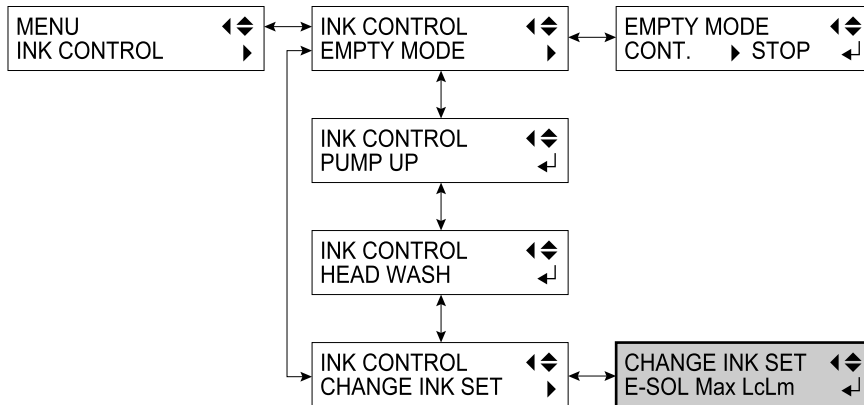
This is the ECO-SOL INK 4-color mode (cyan, magenta, yellow, and black).

### **ECO-SOL LcLm**

This is the ECO-SOL INK 6-color mode (cyan, magenta, yellow, black, light cyan, and light magenta).

## INK CONTROL Menu Item

The [CHANGE INK SET] item has been expanded, enabling changing from "ECO-SOL INK" to "ECO-SOL MAX" ink.



### **E-SOL Max CMYKMC**

This changes the ink to the ECO-SOL MAX 4-color mode (cyan, magenta, yellow, and black).

### **E-SOL Max LcLm**

This changes the ink to the ECO-SOL MAX 6-color mode (cyan, magenta, yellow, black, light cyan, and light magenta).

### **ECO-SOL CMYKMC**

This changes the ink to the ECO-SOL INK 4-color mode (cyan, magenta, yellow, and black).

### **ECO-SOL LcLm**

This changes the ink to the ECO-SOL INK 6-color mode (cyan, magenta, yellow, black, light cyan, and light magenta).

### **Important!**

- When changing the ink from ECO-SOL INK to ECO-SOL MAX, all ink must be replaced. ECO-SOL INK and ECO-SOL MAX ink cannot coexist.
- When changing the ink from ECO-SOL INK to ECO-SOL MAX of the same color mode, no SOL INK cleaning cartridges are required.

